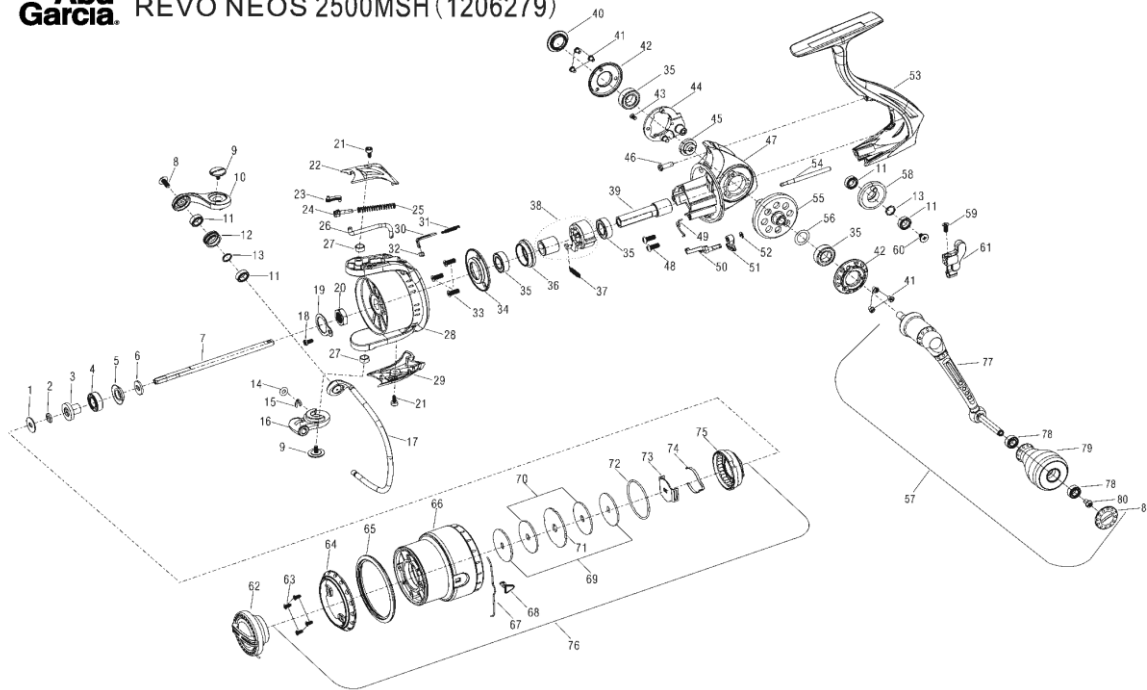


- 1 1195751
- 2 1195755
- 3 1195758
- 4 1195757
- 5 1195761
- 6 1195763
- 7 1221452
- 8 1195642
- 9 1221453
- 10 1221455
- 11 1195641
- 12 1195620
- 13 1195778
- 14 1195591
- 15 1195592
- 16 1221457
- 17 1221459
- 18 1221460
- 19 1195770
- 20 1221461
- 21 1221462
- 22 1221464
- 23 1195617
- 24 1195619
- 25 1195613
- 26 1221466
- 27 1221467
- 28 1221471
- 29 1221473
- 30 1221474
- 31 1221475
- 32 1221476
- 33 1221477
- 34 1221479
- 35 1181780
- 36 1195573
- 37 1221480
- 38 1195773
- 39 1195567
- 40 1221486
- 41 1221489



REVO NEOS 2500MSH (1206279)



- 42 1221492
- 43 1195720
- 44 1221495
- 45 1195767
- 46 1221496
- 47 1221498
- 48 1221499
- 49 1221500
- 50 1221501
- 51 1221503
- 52 1221504
- 53 1221425
- 54 1221428
- 55 1221512
- 56 1195560
- 57 1221520
- 58 1195801
- 59 1195659
- 60 1195812
- 61 1195651
- 62 1221523
- 63 1221524
- 64 1221529
- 65 1195699
- 66 1221539
- 67 1195693
- 68 1195692
- 69 1221547
- 70 1221548
- 71 1221552
- 72 1221553
- 73 1221554
- 74 1221555
- 75 1221557
- 76 1221565
- 77 1223328
- 78 1223331
- 79 1223336
- 80 1223338
- 81 1223342

Parts ID	パーツ名	価格	Parts ID	パーツ名	価格
1181780	BALL BEARING (4 REQ) (C)	¥1,055	1221466	BAIL TRIP BAR (C)	¥200
1195560	SHIM (C)	¥160	1221467	BUSHING (C)	¥160
1195567	PINION (C)	¥500	1221471	ROTOR (C)	¥1,200
1195573	BEARING HOLDER (C)	¥400	1221473	BAIL HOLDER COVER (C)	¥300
1195591	O-RING (C)	¥160	1221474	ROTOR BRAKE LINKAGE (C)	¥250
1195592	CLIP (C)	¥160	1221475	ROTOR BRAKE SPRING (C)	¥160
1195613	BAIL SPRING (C)	¥160	1221476	ROTOR BRAKE PAD (C)	¥160
1195617	PIVOT LEVER (C)	¥160	1221477	SCREW (3 REQ) (C)	¥160
1195619	BAIL SPRING BUSHING (C)	¥160	1221479	BEARING HOLDER COVER (C)	¥500
1195620	LINE ROLLER (C)	¥500	1221480	CLUTCH SPRING (C)	¥160
1195641	BALL BEARING (4 REQ) (C)	¥600	1221486	HANDLE SCREW COVER (C)	¥600
1195642	SCREW (C)	¥160	1221489	SCREW (6 REQ) (C)	¥160
1195651	OSCILLATION SLIDER (C)	¥300	1221492	BEARING RETAINER (2 REQ) (C)	¥800
1195659	SCREW (C)	¥160	1221495	OSCILLATION MOUNT (C)	¥600
1195692	LINE CLIP (C)	¥200	1221496	SCREW (C)	¥160
1195693	LINE CLIP SPRING (C)	¥200	1221498	GEAR BOX (C)	¥3,000
1195699	SPOOL LIP (C)	¥1,200	1221499	SCREW (2 REQ) (C)	¥160
1195720	SCREW (C)	¥160	1221500	SWITCH SPRING (C)	¥160
1195751	SPACE WASHER (C)	¥160	1221501	SWITCH LEVER (C)	¥200
1195755	O-RING (C)	¥160	1221503	IAR SWITCH (C)	¥200
1195757	BALL BEARING (C)	¥600	1221504	CLIP (C)	¥160
1195758	BEARING SLEEVE (C)	¥300	1221512	MAIN GEAR (C)	¥800
1195761	SEAL (C)	¥160	1221520	HANDLE ASSEMBLY (C)	¥4,000
1195763	SPOOL SHAFT WASHER (C)	¥160	1221523	DRAG KNOB (C)	¥2,000
1195767	IDLER GEAR (C)	¥300	1221524	SCREW (4 REQ) (C)	¥160
1195770	NUT LOCKING PLATE (C)	¥200	1221529	SPOOL TOP (C)	¥1,500
1195773	CLUTCH ASSEMBLY (C)	¥800	1221539	SPOOL (C)	¥2,600
1195778	SPACER (C)	¥160	1221547	KEYED WASHER (2 REQ) (C)	¥200
1195801	OSCILLATION GEAR (C)	¥300	1221548	DRAG WASHER (2 REQ) (C)	¥160
1195812	SCREW (C)	¥160	1221552	SPOOL WASHER (C)	¥200
1221425	STEM (C)	¥2,200	1221553	O-RING (C)	¥160
1221428	GUIDE BAR (C)	¥200	1221554	SPOOL CLICK RETAINER (C)	¥200
1221452	SPOOL SHAFT (C)	¥800	1221555	SPOOL CLICK (C)	¥200
1221453	SCREW (2 REQ) (C)	¥200	1221557	SPOOL BOTTOM (C)	¥300
1221455	BAIL ARM (C)	¥400	1221565	SPOOL ASSEMBLY (C)	¥4,800
1221457	BAIL HOLDER (C)	¥300	1223328	HANDLE ARM (C)	¥1,500
1221459	BAIL WIRE (C)	¥1,000	1223331	BALL BEARING (2 REQ) (C)	¥600
1221460	SCREW (C)	¥160	1223336	HANDLE KNOB (C)	¥500
1221461	ROTOR NUT (C)	¥200	1223338	SCREW (C)	¥160
1221462	SCREW (C)	¥160	1223342	HANDLE KNOB CAP (C)	¥600
1221464	BAIL ARM COVER (C)	¥300			