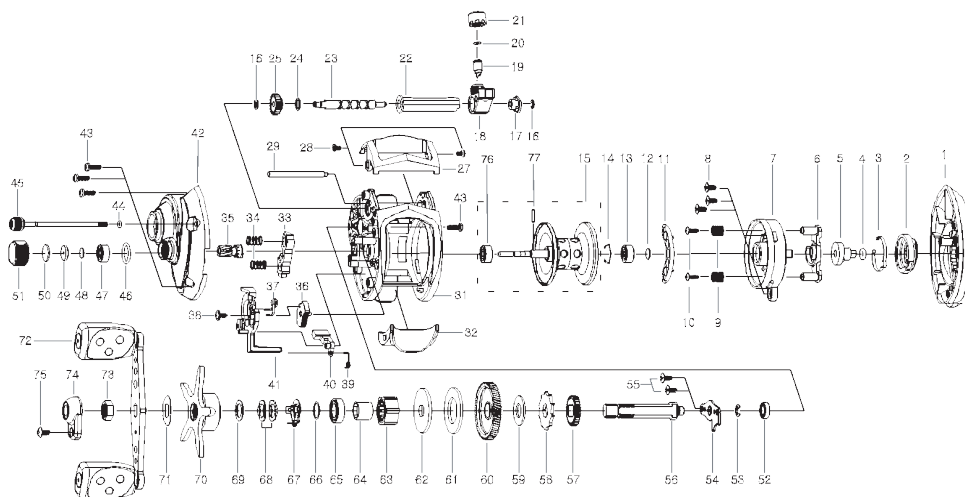


1 1138837
 2 1134503
 3 1134431
 4 1134432
 5 1134433
 6 1134434
 7 1138838
 8 1134436
 9 1134437
 10 1134438
 11 1134439
 12 1134440
 13 1134441
 14 1134442
 15 1134505
 16 1104799
 17 1134444
 18 1134445
 19 1134446
 20 1134447
 21 1134448
 22 1138559
 23 1138839
 24 1134450
 25 1134451
 27 1138842
 28 1134453
 29 1134454
 31 1138845
 32 1138848
 33 1138849
 34 1104810
 35 1138852
 36 1160976
 37 1160977
 38 1134460
 39 1138854
 40 1138855



Please specify reel model number and number in reel foot when ordering parts.

Vid beställning av reservdelar bör alltid rulltyp och nummerbeteckning under rullfotens anges

Ambassadeur Pro Max LH 18 01

1137355, 1160469 34-12575-2

41 1160978
 42 1138859
 43 1134492
 44 1134465
 45 1134466
 46 1104812
 47 1134494
 48 1095593
 49 1104813
 50 1104814
 51 1134510
 52 1134467
 53 1134468
 54 1134469
 55 1104820
 56 1138860
 57 1065960
 58 1134471
 59 1065962
 60 1138861
 61 1134473
 62 1134474
 63 1134475
 64 1134476
 65 1134477
 66 1134478
 67 1104824
 68 1065971
 69 1134497
 70 1138864
 71 1065974
 72 1141284
 73 1138865
 74 1134515
 75 1134501
 76 1161134
 77 1161135

Parts ID	パーツ名	価格	Parts ID	パーツ名	価格
1065960	OSCILLATE DRIVE GEAR	¥100	1134473	DRAG WASHER	¥70
1065962	TRIP RATCHET WASHER	¥50	1134474	PRESSURE WASHER	¥150
1065971	SPRING "D" WASHER	¥50	1134475	IAR BEARING	¥800
1065974	HANDLE WASHER	¥50	1134476	IAR SLEEVE	¥200
1095593	SPOOL TENSION WASHER A	¥50	1134477	BALL BEARING	¥600
1104799	OSCILLATE PINION GEAR RETAINER	¥50	1134478	WASHER	¥50
1104810	PINION YOKE COIL SPRING	¥50	1134487	LINE GUIDE NUT	¥70
1104812	O-RING	¥50	1134492	SCREW	¥50
1104813	SPOOL TENSION COLLAR	¥50	1134494	BALL BEARING	¥600
1104814	SPOOL CUSHION WASHER	¥50	1134497	WASHER	¥50
1104820	CRANK SHAFT BEARING PLATE SCREW	¥50	1134501	SCREW	¥50
1104824	LEAF SPRING ASSEMBLY	¥300	1134503	MAG DIAL	¥300
1134431	CLICK SPRING	¥100	1134505	SPOOL	¥2,000
1134432	O-RING	¥50	1134510	BRAKE KNOB	¥600
1134433	CAM CURVE A	¥100	1134515	HANDLE NUT COVER	¥300
1134434	CAM CURVE B	¥150	1138559	WORM SHAFT TUBE	¥300
1134436	SCREW	¥50	1138837	RIGHT SIDE PLATE (K)	¥1,500
1134437	COIL SPRING	¥50	1138838	LINE REJECTER (K)	¥1,000
1134438	SCREW	¥50	1138839	WORM SHAFT	¥1,000
1134439	MAGNET HOLDER	¥200	1138842	FRONT COVER (K)	¥300
1134440	WASHER	¥50	1138845	FRAME (PRO MAX-L)	¥2,000
1134441	BALL BEARING	¥600	1138848	THUMBAR	¥300
1134442	LOCK RING	¥50	1138849	YOKE (K)	¥100
1134444	BUSHING	¥70	1138852	PINION	¥750
1134445	LINE GUIDE	¥500	1138854	SPRING (K)	¥50
1134446	PAWL	¥300	1138855	KICK LEVER	¥150
1134447	WASHER	¥50	1138859	LEFT SIDE PLATE (PRO MAX-L)	¥2,000
1134450	WASHER	¥50	1138860	MAIN GEAR SHAFT (K)	¥500
1134451	GEAR	¥100	1138861	MAIN GEAR (K)	¥1,500
1134453	SCREW	¥50	1138864	STAR WHEEL (K)	¥1,200
1134454	LINE GUIDE SHAFT	¥150	1138865	HANDLE NUT	¥100
1134460	SCREW	¥50	1141284	HANDLE	¥2,000
1134465	O-RING	¥50	1160976	Flipping Switch (K)	¥200
1134466	THUMBAR SCREW	¥200	1160977	Clutch Spring (K)	¥160
1134467	BALL BEARING	¥600	1160978	Clutch Cam (K)	¥300
1134468	RETAINER	¥50	1161134	Ball bearing dia5xdia10x4	¥600
1134469	MAIN GEAR SHAFT PLATE	¥200	1161135	Pin (K)	¥200
1134471	RATCHET	¥150			