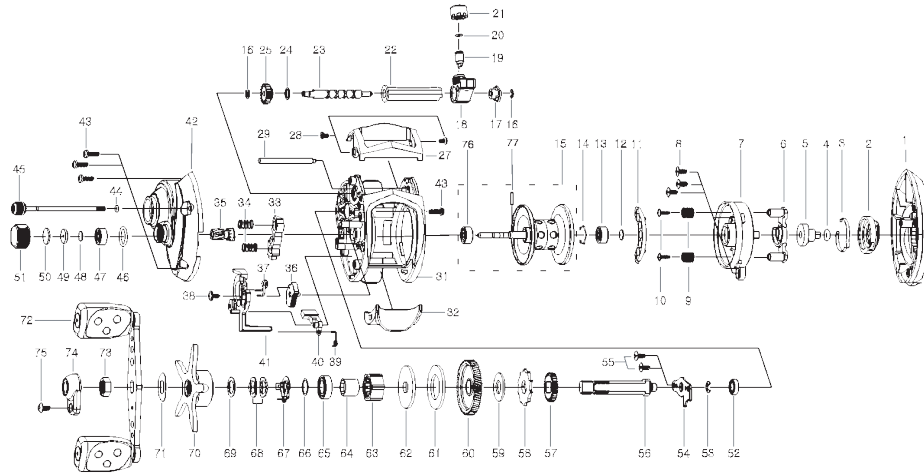


- 1 1138836
- 2 1134430
- 3 1134431
- 4 1134432
- 5 1134433
- 6 1134434
- 7 1138838
- 8 1134436
- 9 1134437
- 10 1134438
- 11 1134439
- 12 1134440
- 13 1134485
- 14 1134442
- 15 1134443
- 16 1104799
- 17 1134444
- 18 1134486
- 19 1134446
- 20 1134447
- 21 1134487
- 22 1095574
- 23 1138839
- 24 1134450
- 25 1134451
- 27 1138841
- 28 1134453
- 29 1134454
- 31 1138844
- 32 1138847
- 33 1138849
- 34 1104810
- 35 1138852
- 36 1160976
- 37 1160977
- 38 1134460
- 39 1138854



Please specify reel model number and number in reel foot when ordering parts.

Vid beställning av reservdelar bör alltid rulltyp och nummerbeteckning under rullfoten anges

Ambassadeur Silver Max LH 18 01

1137029, 1157037 34-12574-2

- 40 1138855
- 41 1160978
- 42 1138858
- 43 1134492
- 44 1134465
- 45 1134193
- 46 1104812
- 47 1134494
- 48 1095593
- 49 1104813
- 50 1104814
- 51 1104815
- 52 1134467
- 53 1134468
- 54 1134469
- 55 1104820
- 56 1138860
- 57 1065960
- 58 1134471
- 59 1065962
- 60 1138861
- 61 1134473
- 62 1134474
- 63 1134475
- 64 1134476
- 65 1134477
- 66 1134478
- 67 1104824
- 68 1065971
- 69 1134497
- 70 1138863
- 71 1065974
- 72 1141285
- 73 1138865
- 74 1134500
- 75 1134501
- 76 1131132
- 77 1131135

Parts ID	パーツ名	価格	Parts ID	パーツ名	価格
1065960	OSCILLATE DRIVE GEAR	¥100	1134471	RATCHET	¥150
1065962	TRIP RATCHET WASHER	¥50	1134473	DRAG WASHER	¥70
1065971	SPRING "D" WASHER	¥50	1134474	PRESSURE WASHER	¥150
1065974	HANDLE WASHER	¥50	1134475	IAR BEARING	¥800
1095574	WORM SHAFT GUIDE	¥300	1134476	IAR SLEEVE	¥200
1095593	SPOOL TENSION WASHER A	¥50	1134477	BALL BEARING	¥600
1104799	OSCILLATE PINION GEAR RETAINER	¥50	1134478	WASHER	¥50
1104810	PINION YOKE COIL SPRING	¥50	1134485	BALL BEARING	¥600
1104812	O-RING	¥50	1134486	LINE GUIDE	¥500
1104813	SPOOL TENSION COLLAR	¥50	1134487	LINE GUIDE NUT	¥70
1104814	SPOOL CUSHION WASHER	¥50	1134492	SCREW	¥50
1104815	SPOOL TENSION KNOB	¥600	1134493	THUMBAR SCREW	¥200
1104820	CRANK SHAFT BEARING PLATE SCREW	¥50	1134494	BALL BEARING	¥600
1104824	LEAF SPRING ASSEMBLY	¥300	1134497	WASHER	¥50
1134430	MAG DIAL	¥300	1134500	HANDLE NUT COVER	¥300
1134431	CLICK SPRING	¥100	1134501	SCREW	¥50
1134432	O-RING	¥50	1138836	RIGHT SIDE PLATE LH (K)	¥1,500
1134433	CAM CURVE A	¥100	1138838	LINE REJECTER (K)	¥1,000
1134434	CAM CURVE B	¥150	1138839	WORM SHAFT	¥1,000
1134436	SCREW	¥50	1138841	FRONT COVER	¥300
1134437	COIL SPRING	¥50	1138844	FRAME (SILVER MAX-L)	¥2,000
1134438	SCREW	¥50	1138847		
1134439	MAGNET HOLDER	¥200	1138849	YOKE (K)	¥100
1134440	WASHER	¥50	1138852	PINION	¥750
1134442	LOCK RING	¥50	1138854	SPRING (K)	¥50
1134443	SPOOL	¥2,000	1138855	KICK LEVER	¥150
1134444	BUSHING	¥70	1138858	LEFT SIDE PLATE (SILVER MAX-L)	¥2,000
1134446	PAWL	¥300	1138860	MAIN GEAR SHAFT (K)	¥500
1134447	WASHER	¥50	1138861	MAIN GEAR (K)	¥1,500
1134450	WASHER	¥50	1138863	STAR WHEEL (C)	¥1,200
1134451	GEAR	¥100	1138865	HANDLE NUT	¥100
1134453	SCREW	¥50	1141285		
1134454	LINE GUIDE SHAFT	¥150	1160976	Flipping Switch (K)	¥200
1134460	SCREW	¥50	1160977	Clutch Spring (K)	¥160
1134465	O-RING	¥50	1160978	Clutch Cam (K)	¥300
1134467	BALL BEARING	¥600	1161132		
1134468	RETAINER	¥50	1161136		
1134469	MAIN GEAR SHAFT PLATE	¥200			