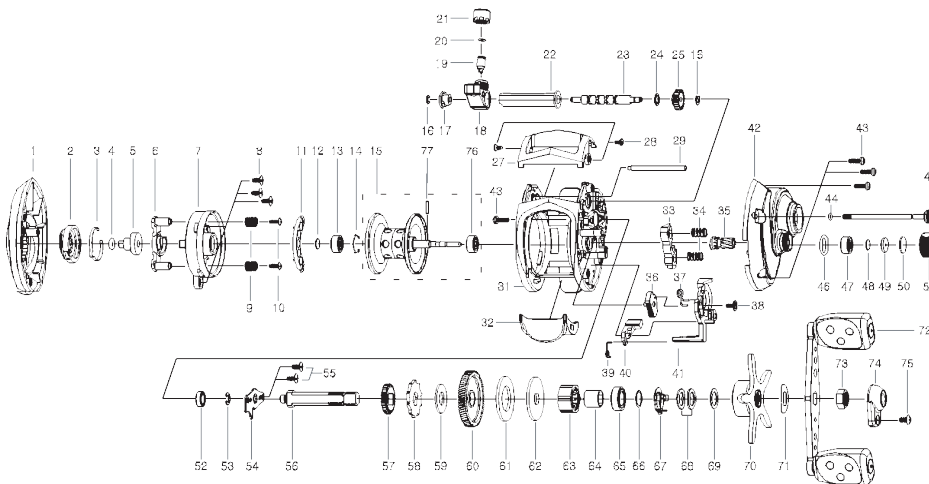


1	1134484
2	1134430
3	1134431
4	1134432
5	1134433
6	1134434
7	1134435
8	1134436
9	1134437
10	1134438
11	1134439
12	1134440
13	1134485
14	1134442
15	1134443
16	1104799
17	1134444
18	1134486
19	1134446
20	1134447
21	1134487
22	1095574
23	1134449
24	1134450
25	1134451
27	1134488
28	1134453
29	1134454
31	1134489
32	1134490
33	1138560
34	1104810
35	1134457
36	1160979
37	1104804
38	1134460
39	1104807



Please specify reel model number and number in reel foot when ordering parts.

Vid beställning av reservdelar bör alltid rulltyp och nummerbeteckning under rullfoten anges

Ambassadeur Silver Max 17 01

1129927, 1157036 34-12546-2

40	1134461
41	1160981
42	1134491
43	1134492
44	1134465
45	1134493
46	1104812
47	1134494
48	1095593
49	1104813
50	1104814
51	1104815
52	1134467
53	1134468
54	1134469
55	1104820
56	1134470
57	1065960
58	1134471
59	1065962
60	1134472
61	1134473
62	1134474
63	1134475
64	1134476
65	1134477
66	1134478
67	1104824
68	1065971
69	1134497
70	1134498
71	1065974
72	1134499
73	1138561
74	1134500
75	1134501
76	1161134
77	1161135

Parts ID	パーツ名	価格	Parts ID	パーツ名	価格
1065960	OSCILLATE DRIVE GEAR	¥100	1134460	SCREW	¥50
1065962	TRIP RATCHET WASHER	¥50	1134461	KICK LEVER	¥150
1065971	SPRING "D" WASHER	¥50	1134465	O-RING	¥50
1065974	HANDLE WASHER	¥50	1134467	BALL BEARING	¥600
1095574	WORM SHAFT GUIDE	¥300	1134468	RETAINER	¥50
1095593	SPOOL TENSION WASHER A	¥50	1134469	MAIN GEAR SHAFT PLATE	¥200
1104799	OSCILLATE PINION GEAR RETAINER	¥50	1134470	MAIN GEAR SHAFT	¥500
1104804	RELEASE SLIDER SPRING	¥50	1134471	RATCHET	¥150
1104807	KICK LEVER SPRING	¥50	1134472	MAIN GEAR	¥1,500
1104810	PINION YOKE COIL SPRING	¥50	1134473	DRAG WASHER	¥70
1104812	O-RING	¥50	1134474	PRESSURE WASHER	¥150
1104813	SPOOL TENSION COLLAR	¥50	1134475	IAR BEARING	¥800
1104814	SPOOL CUSHION WASHER	¥50	1134476	IAR SLEEVE	¥200
1104815	SPOOL TENSION KNOB	¥600	1134477	BALL BEARING	¥600
1104820	CRANK SHAFT BEARING PLATE SCREW	¥50	1134478	WASHER	¥50
1104824	LEAF SPRING ASSEMBLY	¥300	1134484	LEFT SIDE PLATE	¥1,500
1134430	MAG DIAL	¥300	1134485	BALL BEARING	¥600
1134431	CLICK SPRING	¥100	1134486	LINE GUIDE	¥500
1134432	O-RING	¥50	1134487	LINE GUIDE NUT	¥70
1134433	CAM CURVE A	¥100	1134488	FRONT COVER	¥300
1134434	CAM CURVE B	¥150	1134489	FRAME	¥2,000
1134435	LINE REJECTER	¥1,000	1134490	THUMBAR	¥300
1134436	SCREW	¥50	1134491	RIGHT SIDE PLATE	¥2,000
1134437	COIL SPRING	¥50	1134492	SCREW	¥50
1134438	SCREW	¥50	1134493	THUMBAR SCREW	¥200
1134439	MAGNET HOLDER	¥200	1134494	BALL BEARING	¥600
1134440	WASHER	¥50	1134497	WASHER	¥50
1134442	LOCK RING	¥50	1134498	STAR WHEEL	¥1,200
1134443	SPOOL	¥2,000	1134499	HANDLE	¥2,000
1134444	BUSHING	¥70	1134500	HANDLE NUT COVER	¥300
1134446	PAWL	¥300	1134501	SCREW	¥50
1134447	WASHER	¥50	1138560	YOKE (K)	¥100
1134449	WORM SHAFT	¥1,000	1138561	HANDLE NUT	¥100
1134450	WASHER	¥50	1160891		
1134451	GEAR	¥100	1160979	Flipping Switch (K)	¥200
1134453	SCREW	¥50	1161134	Ball bearing dia5xdia10x4	¥600
1134454	LINE GUIDE SHAFT	¥150	1161135	Pin (K)	¥200
1134457	PINION	¥750			