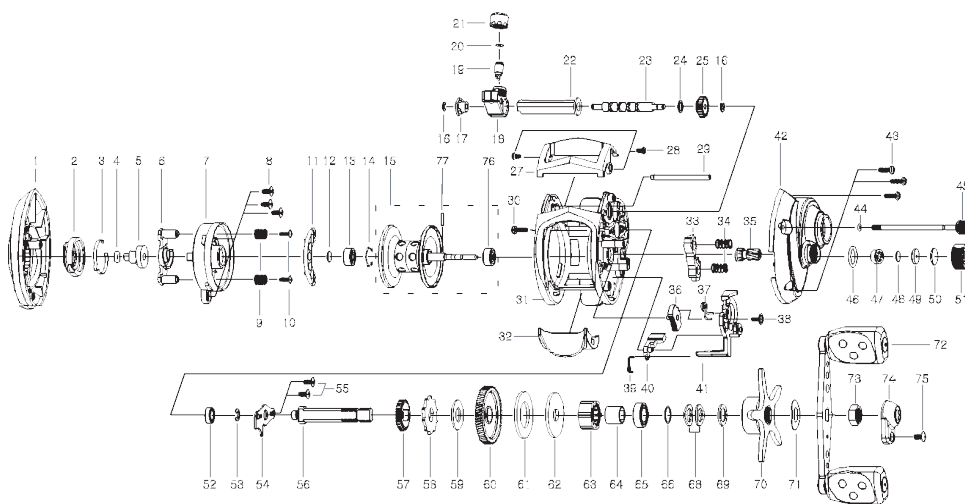


1 1134429  
 2 1134430  
 3 1134431  
 4 1134432  
 5 1134433  
 6 1134434  
 7 1134435  
 8 1134436  
 9 1134437  
 10 1134438  
 11 1134439  
 12 1134440  
 13 1134441  
 14 1134442  
 15 1134443  
 16 1104799  
 17 1134444  
 18 1134445  
 19 1134446  
 20 1134447  
 21 1134448  
 22 1138559  
 23 1134449  
 24 1134450  
 25 1134451  
 27 1134452  
 28 1134453  
 29 1134454  
 30 1134492  
 31 1134455  
 32 1134456  
 33 1138560  
 34 1104810  
 35 1134457  
 36 1160979  
 37 1104804  
 38 1134460



Please specify reel model number and number in reel foot when ordering parts.

Vid beställning av reservdelar bör alltid rulltyp och nummerbeteckning under rullfoten anges

Ambassadeur Black Max 17 01

1129926, 1157034

34-12545 -2

39 1104807  
 40 1134461  
 41 1160981  
 42 1134463  
 43 1134464  
 44 1134465  
 45 1134466  
 46 1104812  
 47 1065949  
 48 1095593  
 49 1104813  
 50 1104814  
 51 1104815  
 52 1134467  
 53 1134468  
 54 1134469  
 55 1104820  
 56 1134470  
 57 1065960  
 58 1134471  
 59 1065962  
 60 1134472  
 61 1134473  
 62 1134474  
 63 1134475  
 64 1134476  
 65 1134477  
 66 1134478  
 68 1065971  
 69 1134479  
 70 1134480  
 71 1065974  
 72 1134481  
 73 1138561  
 74 1104826  
 75 1134483  
 76 1161134  
 77 1161135

Parts ID	パーツ名	価格	Parts ID	パーツ名	価格
1065949	TENSION KNOB BEARING	¥70	1134451	GEAR	¥100
1065960	OSCILLATE DRIVE GEAR	¥100	1134452	FRONT COVER	¥300
1065962	TRIP RATCHET WASHER	¥50	1134453	SCREW	¥50
1065971	SPRING "D" WASHER	¥50	1134454	LINE GUIDE SHAFT	¥150
1065974	HANDLE WASHER	¥50	1134455	FRAME	¥2,000
1095593	SPOOL TENSION WASHER A	¥50	1134456	THUMBAR	¥300
1104799	OSCILLATE PINION GEAR RETAINER	¥50	1134457	PINION	¥750
1104804	RELEASE SLIDER SPRING	¥50	1134460	SCREW	¥50
1104807	KICK LEVER SPRING	¥50	1134461	KICK LEVER	¥150
1104810	PINION YOKE COIL SPRING	¥50	1134463	RIGHT SIDE PLATE	¥2,000
1104812	O-RING	¥50	1134464	SCREW	¥50
1104813	SPOOL TENSION COLLAR	¥50	1134465	O-RING	¥50
1104814	SPOOL CUSHION WASHER	¥50	1134466	THUMBAR SCREW	¥200
1104815	SPOOL TENSION KNOB	¥600	1134467	BALL BEARING	¥600
1104820	CRANK SHAFT BEARING PLATE SCREW	¥50	1134468	RETAINER	¥50
1104826	HANDLE NUT CAP ASSEMBLY	¥300	1134469	MAIN GEAR SHAFT PLATE	¥200
1134429	LEFT SIDE PLATE	¥1,500	1134470	MAIN GEAR SHAFT	¥500
1134430	MAG DIAL	¥300	1134471	RATCHET	¥150
1134431	CLICK SPRING	¥100	1134472	MAIN GEAR	¥1,500
1134432	O-RING	¥50	1134473	DRAG WASHER	¥70
1134433	CAM CURVE A	¥100	1134474	PRESSURE WASHER	¥150
1134434	CAM CURVE B	¥150	1134475	IAR BEARING	¥800
1134435	LINE REJECTER	¥1,000	1134476	IAR SLEEVE	¥200
1134436	SCREW	¥50	1134477	BALL BEARING	¥600
1134437	COIL SPRING	¥50	1134478	WASHER	¥50
1134438	SCREW	¥50	1134480	STAR WHEEL	¥1,200
1134439	MAGNET HOLDER	¥200	1134481	HANDLE	¥2,000
1134440	WASHER	¥50	1134483	SCREW	¥50
1134441	BALL BEARING	¥600	1134492	SCREW	¥50
1134442	LOCK RING	¥50	1134497	WASHER	¥50
1134443	SPOOL	¥2,000	1138559	WORM SHAFT TUBE	¥300
1134444	BUSHING	¥70	1138560	YOKE (K)	¥100
1134445	LINE GUIDE	¥500	1138561	HANDLE NUT	¥100
1134446	PAWL	¥300	1160891		
1134447	WASHER	¥50	1160979	Flipping Switch (K)	¥200
1134448	LINE GUIDE NUT	¥70	1161134	Ball bearing dia5xdia10x4	¥600
1134449	WORM SHAFT	¥1,000	1161135	Pin (K)	¥200
1134450	WASHER	¥50			